



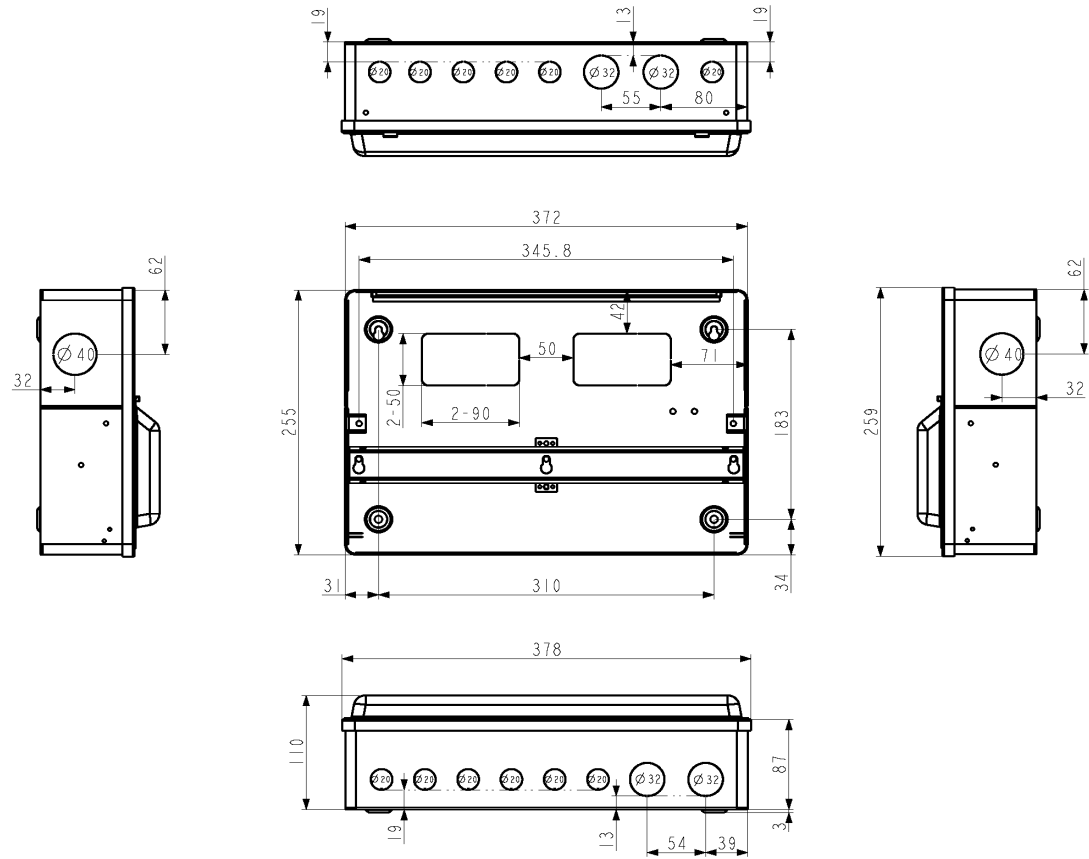
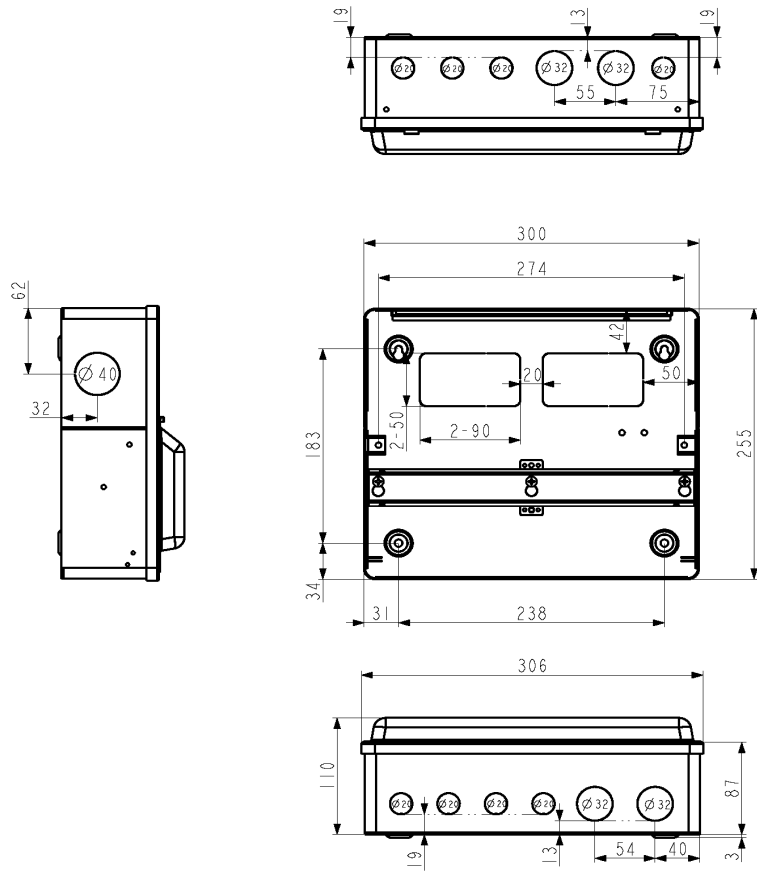
		DUAL RCD (TYPE A)			
		7	11		17
		F2007DA	F2011DA		F2017DA
NUMBER OF USABLE WAYS					
PART NUMBER		F2007DA	F2011DA		F2017DA
GTIN-13		5060523524266	5060523524273		5060523524280
INNER CARTON QUANTITY		1	1		1
OUTER CARTON QUANTITY		4	4		4
DIMENSION DRAWING		14P	18P		24P
WEIGHT (1PC) Kg		4.7	4.75		5.2
DIMENSIONS (HxWxD)mm		259x306x113	259x378x113		259x486x113
RCD (TYPE A)		2x 80A 30mA	2x 80A 30mA		2x 80A 30mA
DOUBLE BANK		N	N		N
TAIL CLAMP COMPATIBLE (ACCF)		Y	Y		Y
STANDARD					EN 61439-3
RATED VOLTAGE (Un/AC)					230V
FREQUENCY (Hz)					50/60
PROTECTION DEGREE (IP)					2XC
MAXIMUM TERMINAL BAR CAPACITY					16mm ²
TERMINAL BAR TIGHTENING TORQUE (Nm)					2.0
MOUNTING					35mm DIN RAIL
MATERIAL					1mm ELECTRO GALVANISED STEEL (ZINC)
FINISH					RAL 9001 POWDER COATED SMOOTH FINISH
KNOCKOUTS					SELECTION 20mm - 40mm
ACCESSORY PACK					CIRCUIT IDENTIFICATION LABELS / GROMMET STRIP
ORIGIN OF MANUFACTURE					CHINA



DIMENSIONS

14P

18P



24P

