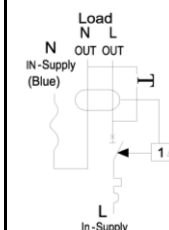




**CAUTION:**  
 DISCONNECT L AND N BEFORE CARRYING OUT INSULATION  
 RESISTANCE TEST.  
 BLUE CABLE CAN BE CUT TO SUIT BUT MUST BE CRIMPED.

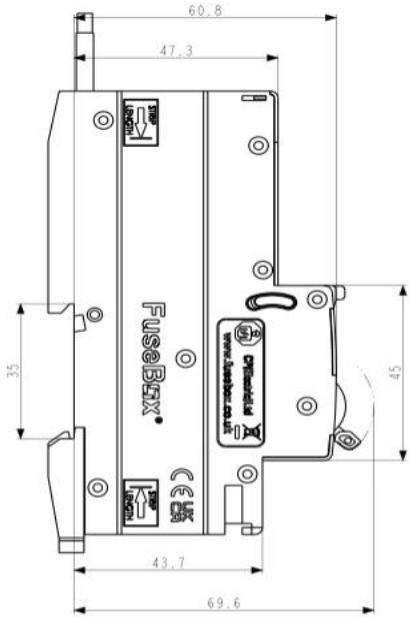


RCBO 6kA 1 pole (B CURVE) TYPE A								
RATING (A)	6	10	16	20	25	32	40	50
RATED RESIDUAL OPERATING CURRENT (I <sub>Δn</sub> )	30mA	30mA	30mA	30mA	30mA	30mA	30mA	30mA
PART NUMBER	RTA060630B	RTA061030B	RTA061630B	RTA062030B	RTA062530B	RTA063230B	RTA064030B	RTA065030B
GTIN-13	5060523523405	5060523523412	5060523523429	5060523523436	5060523524402	5060523523443	5060523523450	5060523523511
STANDARD	IEC/EN 61009-1							
NUMBER OF POLES	1P + N							
RATED VOLTAGE (U <sub>n</sub> /AC)	230V							
FREQUENCY (Hz)	50/60							
RATED BREAKING CAPACITY (I <sub>cn</sub> )	6000A (6kA)							
RATED CURRENT (I <sub>n</sub> )	6, 10, 16, 20, 25, 32, 40, 50							
TRIPPING CHARACTERISTICS	B CURVE : 3-5I <sub>n</sub>							
RESIDUAL CURRENT CHARACTERISTICS	TYPE A (AC AND PULSATING DC UP TO 6mA)							
RATED RESIDUAL OPERATING CURRENT (I <sub>Δn</sub> )	0.03							
MECHANICAL ENDURANCE	10,000							
PROTECTION DEGREE (IP)	20							
MAXIMUM TERMINAL CAPACITY	1-16mm <sup>2</sup> L IN / 1-10mm <sup>2</sup> OUT N L							
RECOMMENDED TIGHTENING TORQUE (Nm)	2.5Nm L IN / 1.2Nm OUT N L							
FLYING NEUTRAL CABLE LENGTH (mm)	450mm							
MOUNTING	35mm din rail							
MATERIAL	PA6 (Nylon 6)							
WEIGHT (1PC) Kg	0.2							
INNER CARTON QUANTITY	1							
OUTER CARTON QUANTITY	60							
ORIGIN OF MANUFACTURE	CHINA							
BI-DIRECTIONAL	NO							



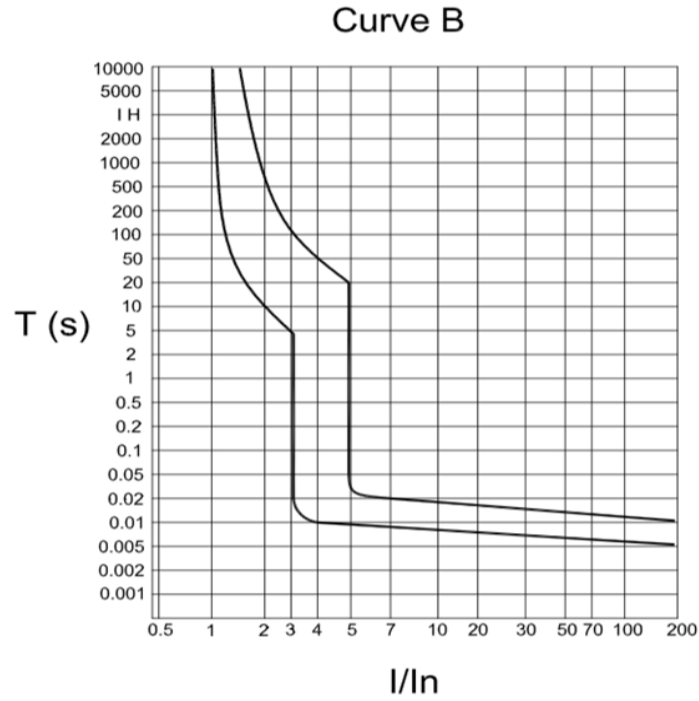
DIMENSIONS

1 POLE



TRIPPING CHARACTERISTICS

B curve 3-5I<sub>n</sub>



NEUTRAL CABLE CSA

6A	2.5 mm <sup>2</sup>
10A	2.5 mm <sup>2</sup>
16A	2.5 mm <sup>2</sup>
20A	2.5 mm <sup>2</sup>
32A	4.0 mm <sup>2</sup>
40A	4.0 mm <sup>2</sup>

